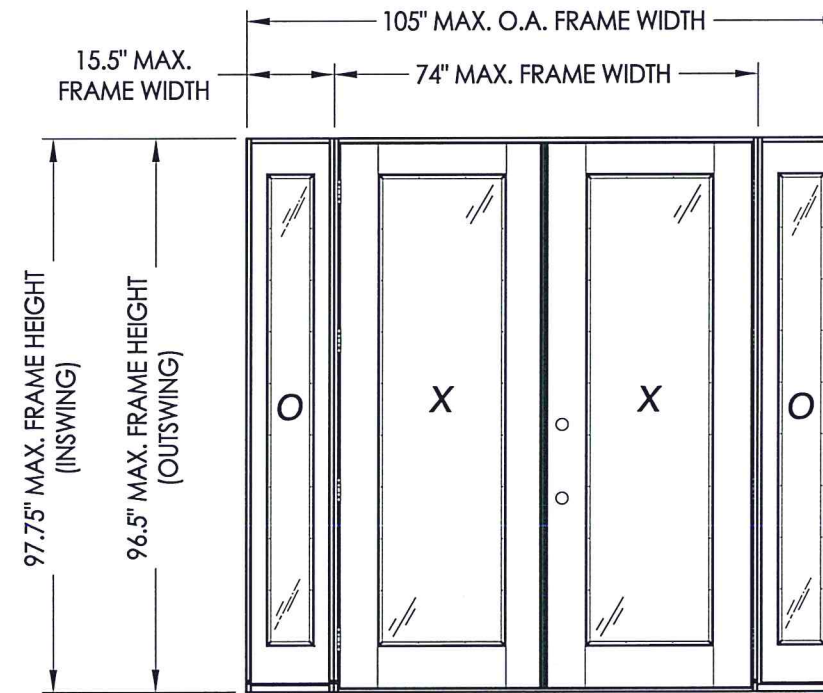
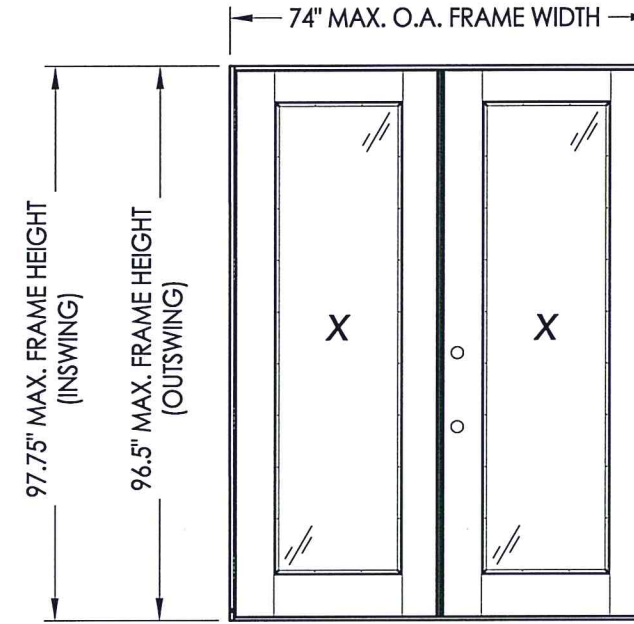


GLAZED FIBERGLASS DOUBLE DOOR w/ or w/out SIDELITE(S) "IMPACT" INSWING / OUTSWING

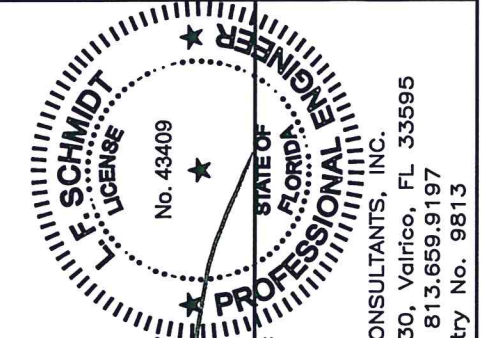
GENERAL NOTES


1. This product has been evaluated and is in compliance with the 7th Edition (2020) Florida Building Code (FBC) structural requirements excluding the "High Velocity Hurricane Zone" (HVHZ).
2. Product anchors shall be as listed and spaced as shown on details. Anchor embedment to base material shall be beyond wall dressing or stucco.
3. When used in areas requiring wind borne debris protection, this product complies with FBC Sections 1609.1.2 & R301.2.1.2 and does not require an impact resistant covering. This product meets missile level "D" and excludes Wind Zone 4 as defined in ASTM E 1996 and FBC Sections 1609.1.2.2 & R301.2.1.2.1.
4. For 2x stud framing construction, anchoring of these units shall be the same as that shown for 2x buck masonry construction.
5. Site conditions that deviate from the details of this drawing require further engineering analysis by a licensed engineer or registered architect.

TABLE OF CONTENTS	
SHEET#	DESCRIPTION
1	Typical elevations, design pressures & general notes
2	Door panel details
3	Sidelite panel details
4	Elevations
5	Horizontal and vertical cross sections (2x buck)
6	Horizontal and vertical cross sections (1x buck)
7	Horizontal and vertical cross sections (Direct to Masonry)
8	Horizontal cross sections
9	Vertical cross sections
10	Buck anchoring
11	Frame anchoring
12	Components
13	Bill of materials



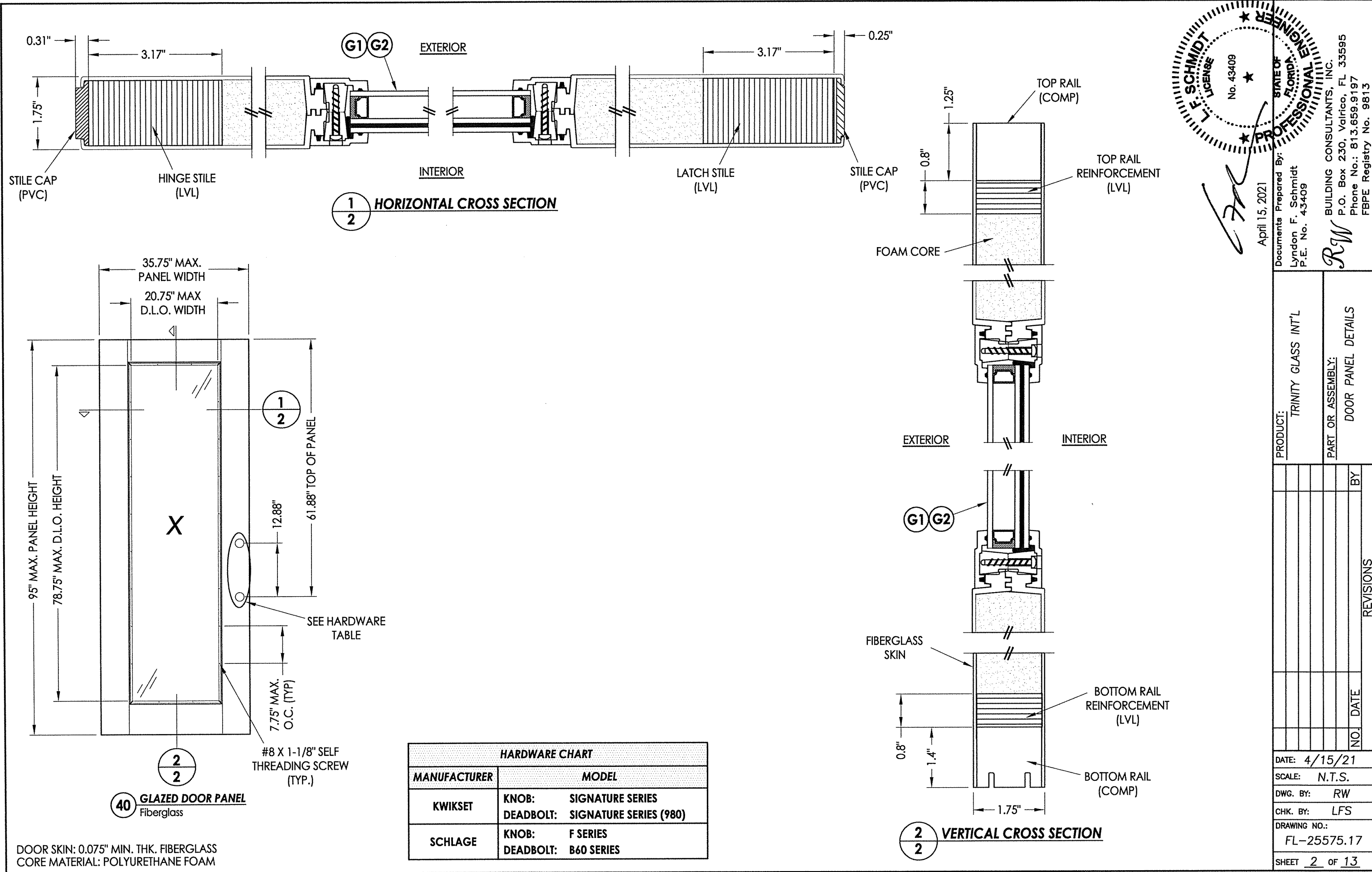
CONFIGURATION	DESIGN PRESSURE (PSF) INSWING		DESIGN PRESSURE (PSF) OUTSWING	
	POSITIVE	NEGATIVE	POSITIVE	NEGATIVE
XX, OXXO	+40.0	-45.0	+45.0	-45.0




 April 15, 2021
 Documents Prepared By:
 Lyndon F. Schmidt
 P.E. No. 43409
 RW BUILDING CONSULTANTS, INC.
 P.O. Box 230, Valrico, FL 33595
 Phone No.: 813.659.9197
 FBPE Registry No. 9813

PRODUCT:	TRINITY GLASS INT'L
PART OR ASSEMBLY:	TYPICAL ELEVATION, DESIGN PRESSURES & GENERAL NOTES
NO.	DATE
BY	REVISIONS
DATE:	4/15/21
SCALE:	N.T.S.
DWG. BY:	RW
CHK. BY:	LFS
DRAWING NO.:	FL-25575.17
SHEET	1 OF 13

Z:\Clients\Trinity Glass PERMANENT\A - Florida Product Approvals\FL - 25575\C. Drawings\FL 25575 (2020)\FL-25575.17-18.dwg



1 HORIZONTAL CROSS SECTION

2 VERTICAL CROSS SECTION

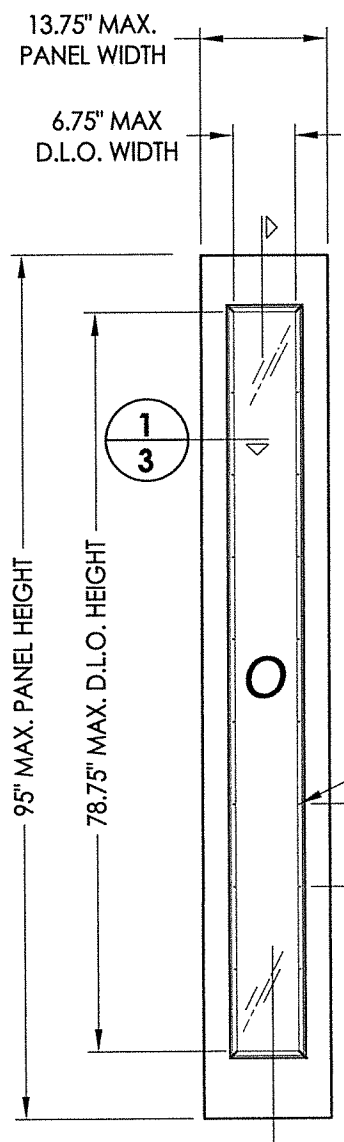
40 GLAZED DOOR PANEL
Fiberglass

HARDWARE CHART	
MANUFACTURER	MODEL
KWIKSET	KNOB: SIGNATURE SERIES
	DEADBOLT: SIGNATURE SERIES (980)
SCHLAGE	KNOB: F SERIES
	DEADBOLT: B60 SERIES

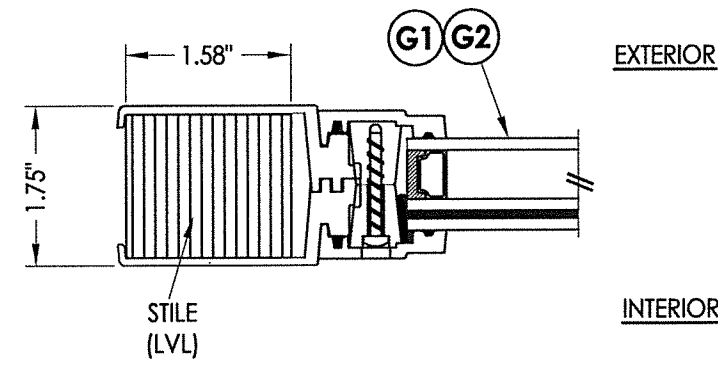
April 15, 2021
 Documents Prepared By:
 Lyndon F. Schmidt
 P.E. No. 43409

PRODUCT:	TRINITY GLASS INT'L
PART OR ASSEMBLY:	DOOR PANEL DETAILS
NO.	DATE
BY	REVISIONS
DATE: 4/15/21	
SCALE: N.T.S.	
DWG. BY: RW	
CHK. BY: LFS	
DRAWING NO.: FL-25575.17	
SHEET 2 OF 13	

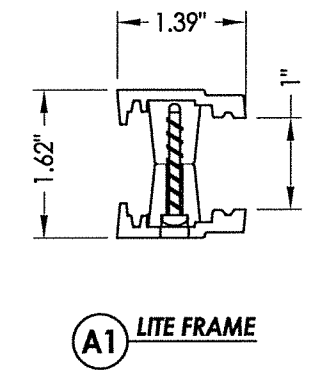
© 2021 R.W. BUILDING CONSULTANTS INC.



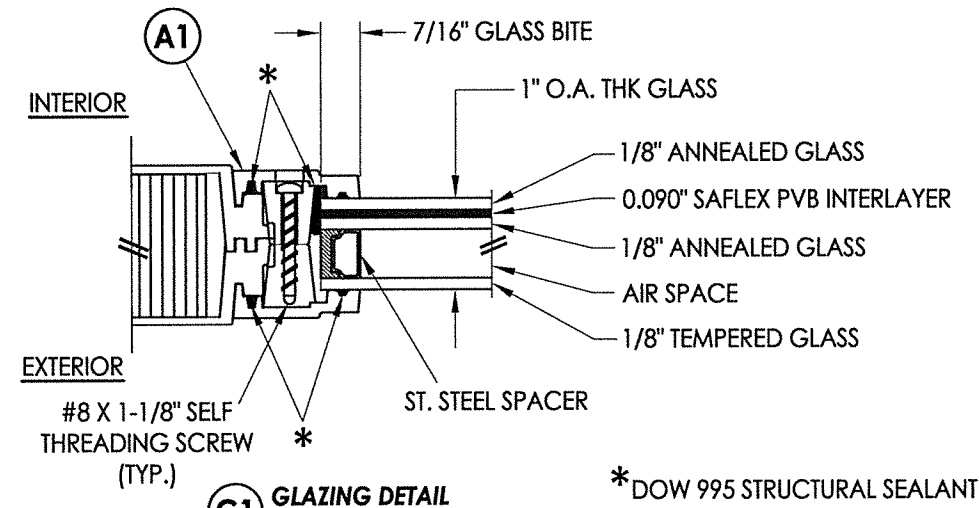
50 **SIDELITE PANEL**
Fiberglass



1
3 **HORIZONTAL CROSS SECTION**

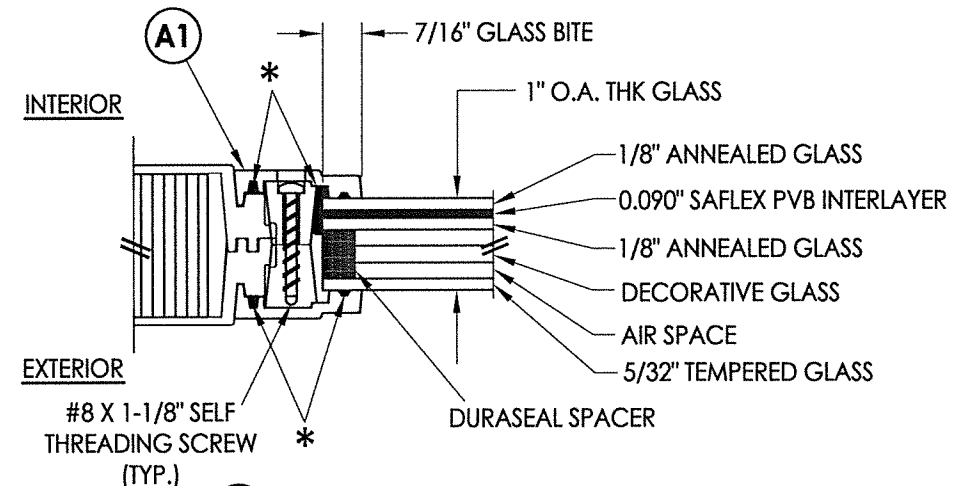


A1 **LITE FRAME**

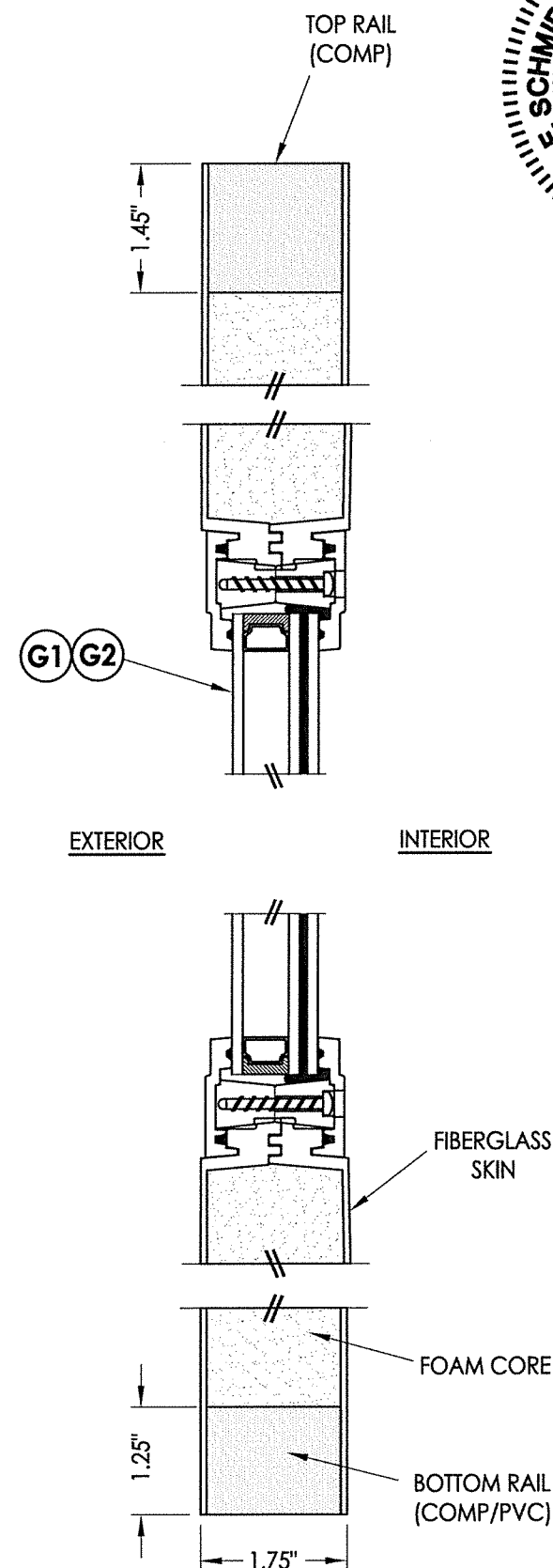


G1 **GLAZING DETAIL**
DUAL GLAZED

*DOW 995 STRUCTURAL SEALANT



G2 **GLAZING DETAIL**
TRIPLE GLAZED



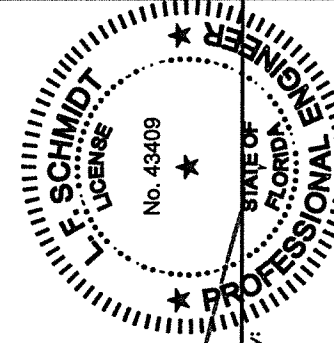
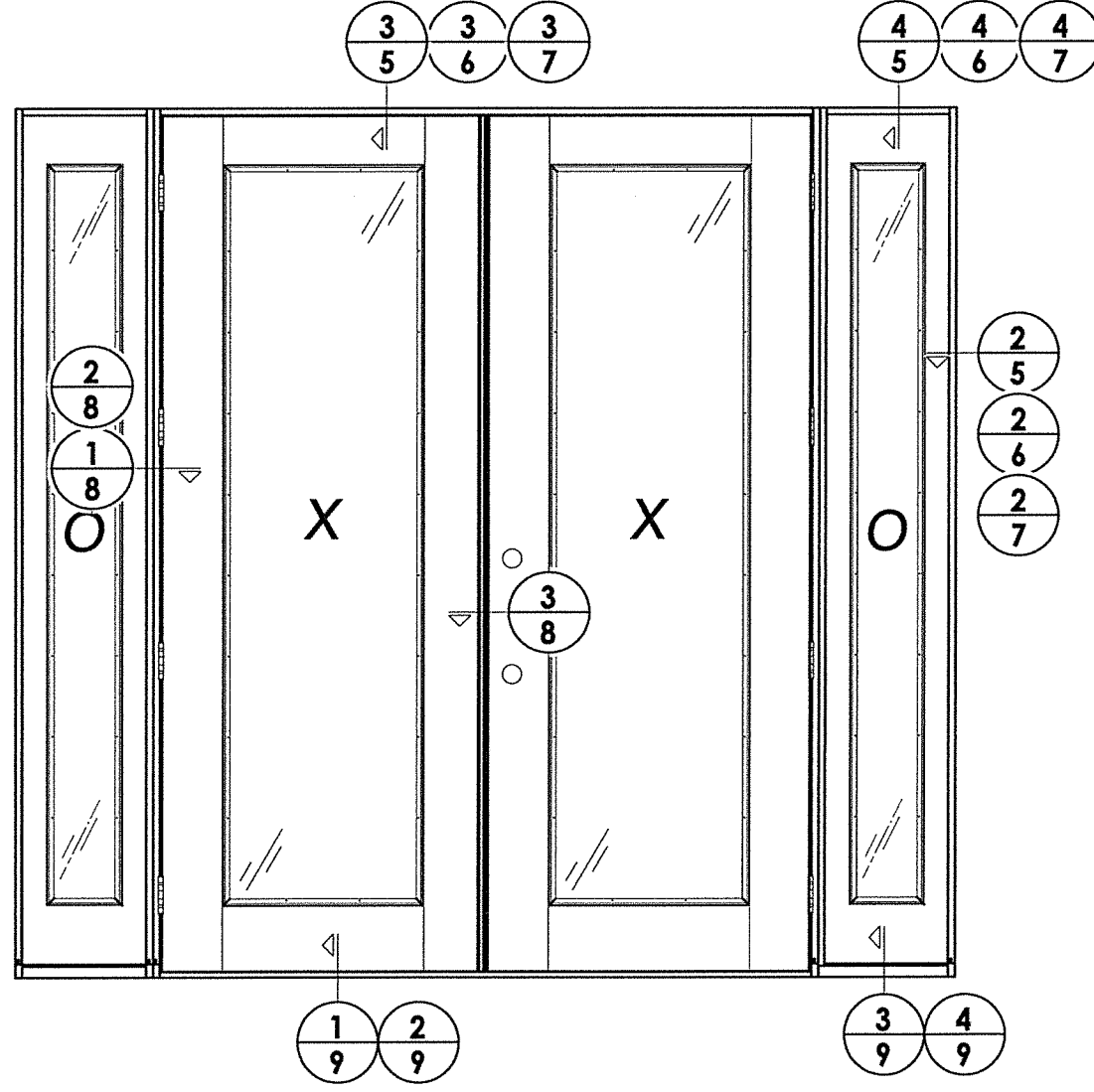
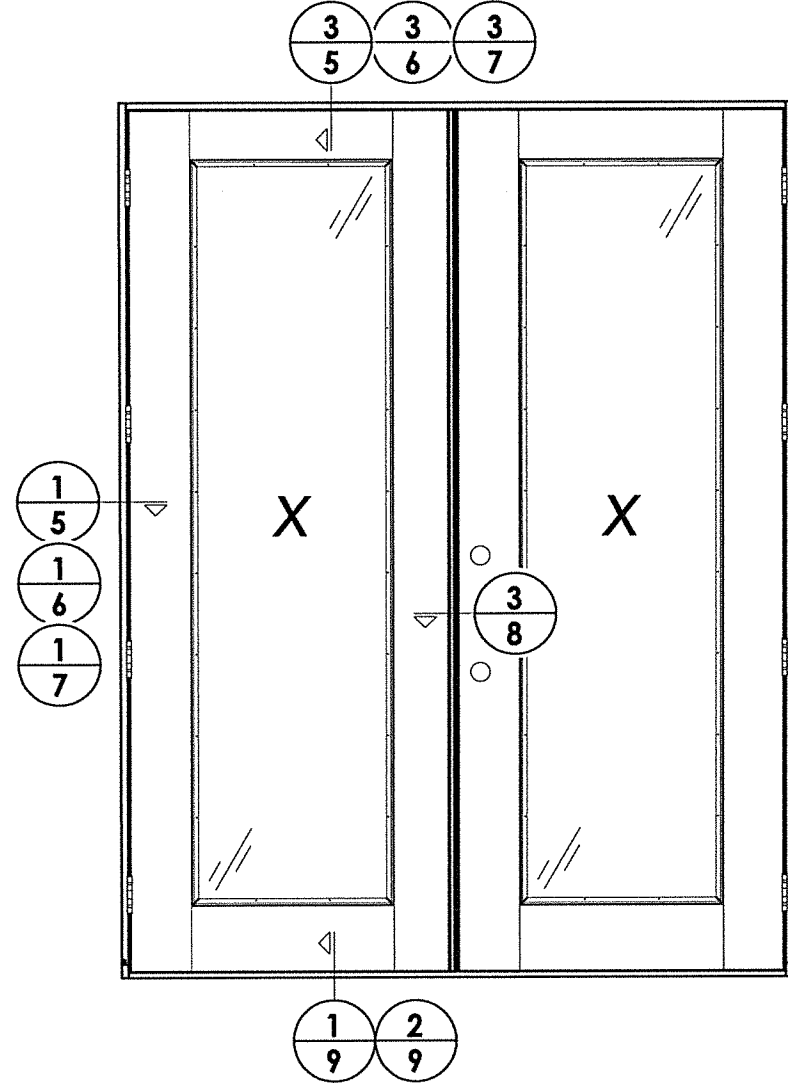
2
3 **VERTICAL CROSS SECTION**

PROFESSIONAL ENGINEER
 STATE OF FLORIDA
 No. 43409
 Lyndon F. Schmidt
 P.E. No. 43409
 April 15, 2021

R.W. BUILDING CONSULTANTS, INC.
 P.O. Box 230, Valrico, FL 33595
 Phone No.: 813.659.9197
 FBPE Registry No. 9813

PRODUCT: TRINITY GLASS INT'L	
PART OR ASSEMBLY: SIDELITE PANEL DETAILS	
NO.	BY
NO.	DATE
DATE: 4/15/21	
SCALE: N.T.S.	
DWG. BY: RW	
CHK. BY: LFS	
DRAWING NO.: FL-25575.17	
SHEET 3 OF 13	

DOOR SKIN: 0.075" MIN. THK. FIBERGLASS
CORE MATERIAL: POLYURETHANE FOAM



LFS

April 15, 2021

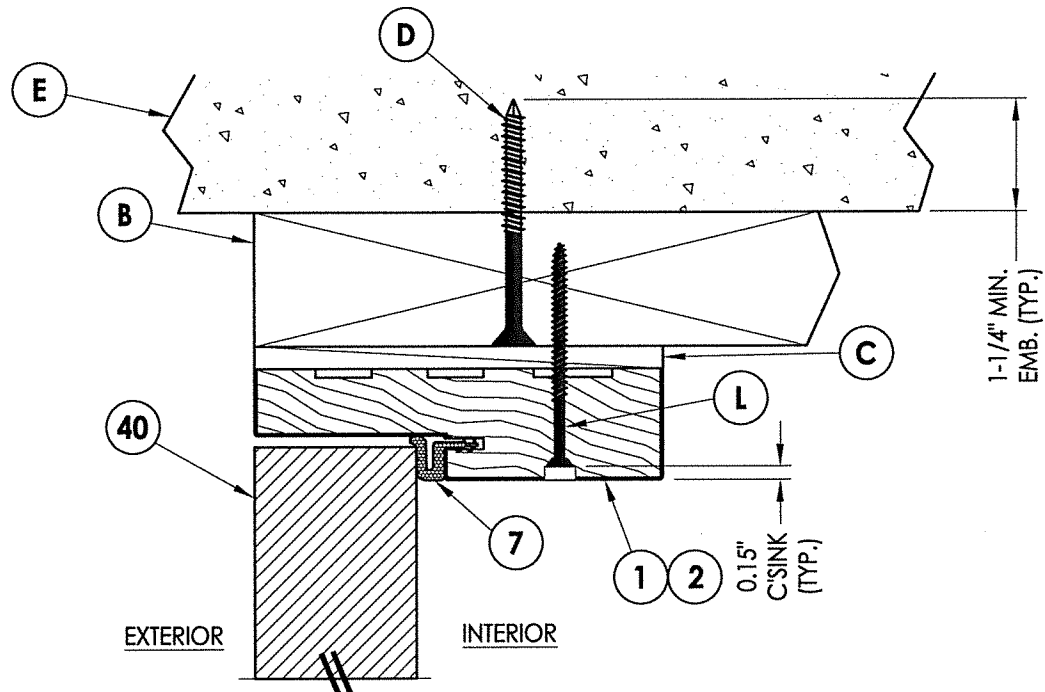
Documents Prepared By:
Lyndon F. Schmidt
P.E. No. 43409

RW
BUILDING CONSULTANTS, INC.
P.O. Box 230, Valrico, FL 33595
Phone No.: 813.659.9197
FBPE Registry No. 9813

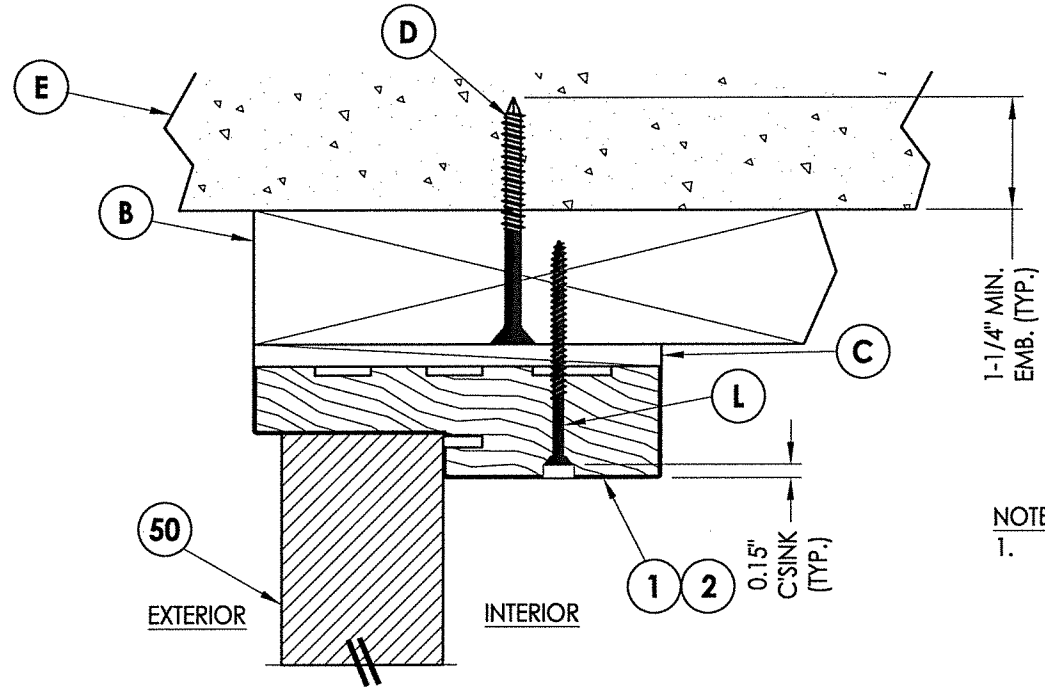
PRODUCT: TRINITY GLASS INT'L
PART OR ASSEMBLY: ELEVATIONS

NO.	DATE	BY

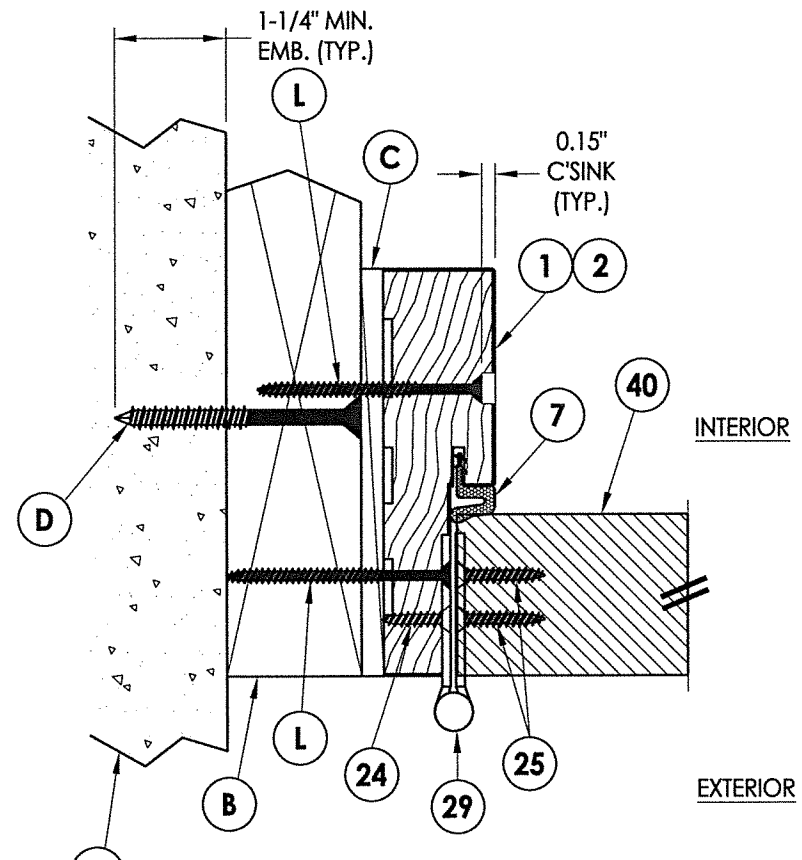
DATE: 4/15/21
SCALE: N.T.S.
DWG. BY: RW
CHK. BY: LFS
DRAWING NO.: FL-25575.17
SHEET 4 OF 13



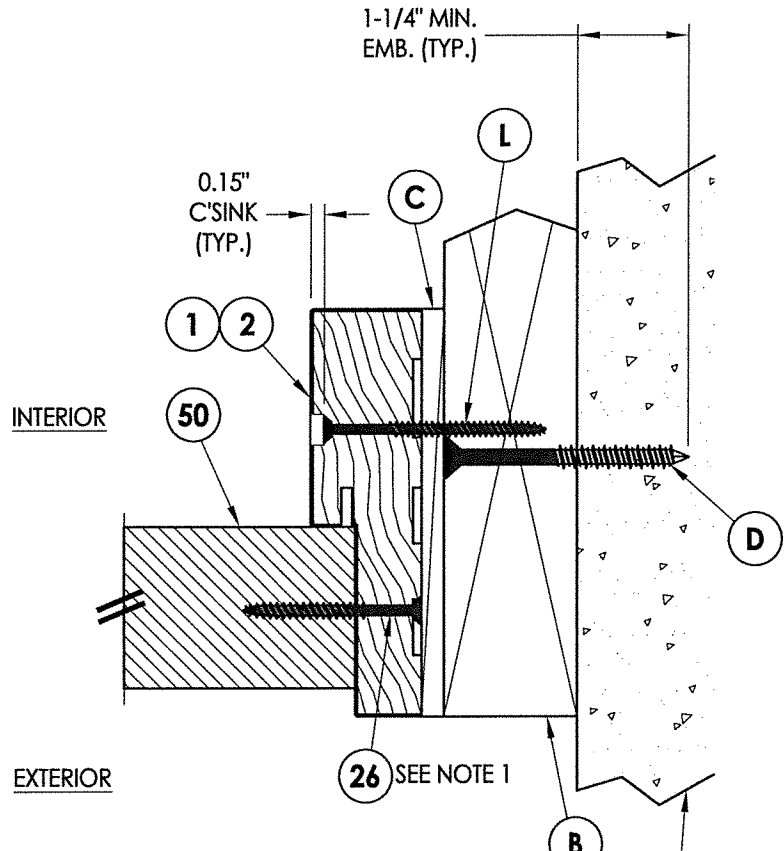
3 VERTICAL CROSS SECTION
5 Outswing shown - Inswing also approved



4 VERTICAL CROSS SECTION
5 Outswing shown - Inswing also approved

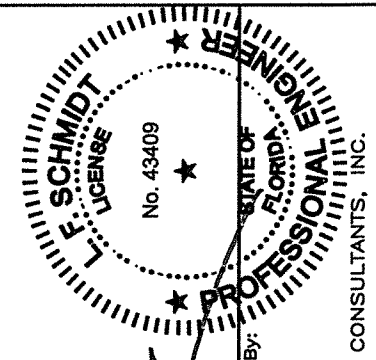


1 HORIZONTAL CROSS SECTION
5 Outswing shown - Inswing also approved



2 HORIZONTAL CROSS SECTION
5 Outswing shown - Inswing also approved

NOTE:
1. Item #26 located 6" from each end plus 5 more equally spaced (7 total).



April 15, 2021
Documents Prepared By:
Lyndon F. Schmidt
P.E. No. 43409

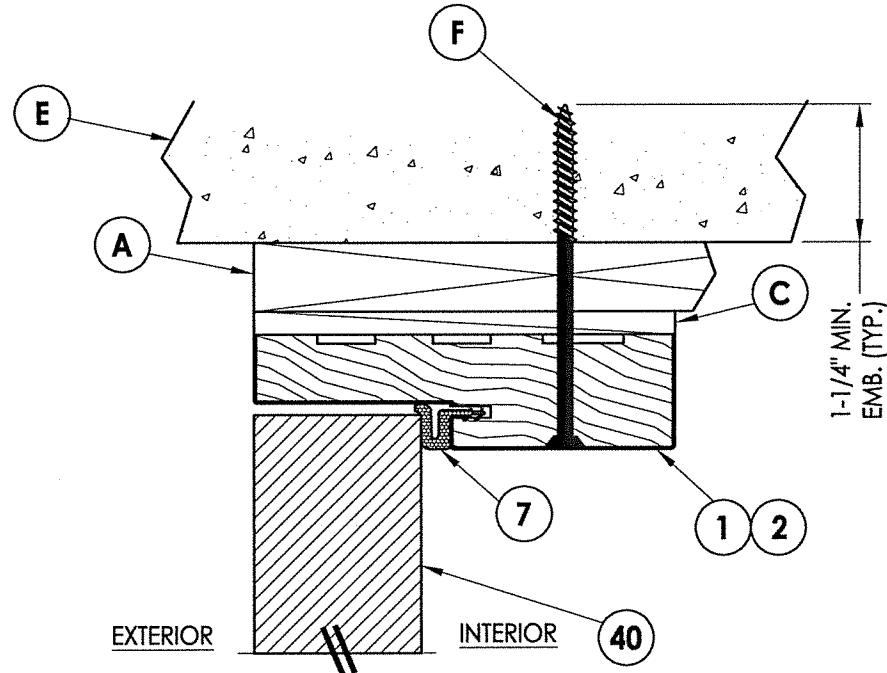
R.W. BUILDING CONSULTANTS, INC.
P.O. Box 230, Valrico, FL 33595
Phone No.: 813.659.9197
FBPE Registry No. 9813

PRODUCT: TRINITY GLASS INT'L
PART OR ASSEMBLY: HORIZONTAL AND VERTICAL CROSS SECTIONS (2X BUCK)

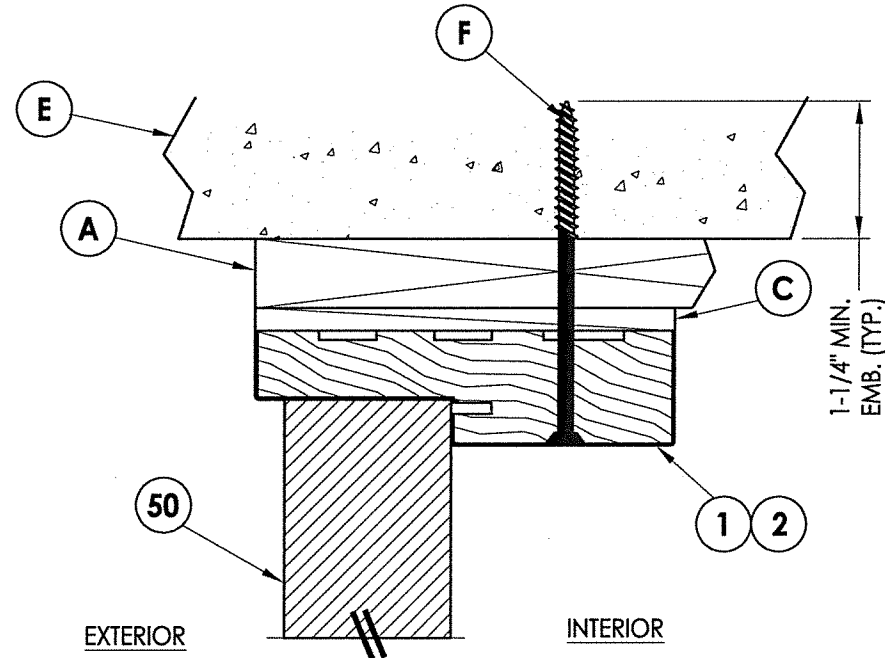
NO.	DATE	BY

DATE: 4/15/21
SCALE: N.T.S.
DWG. BY: RW
CHK. BY: LFS
DRAWING NO.: FL-25575.17
SHEET 5 OF 13

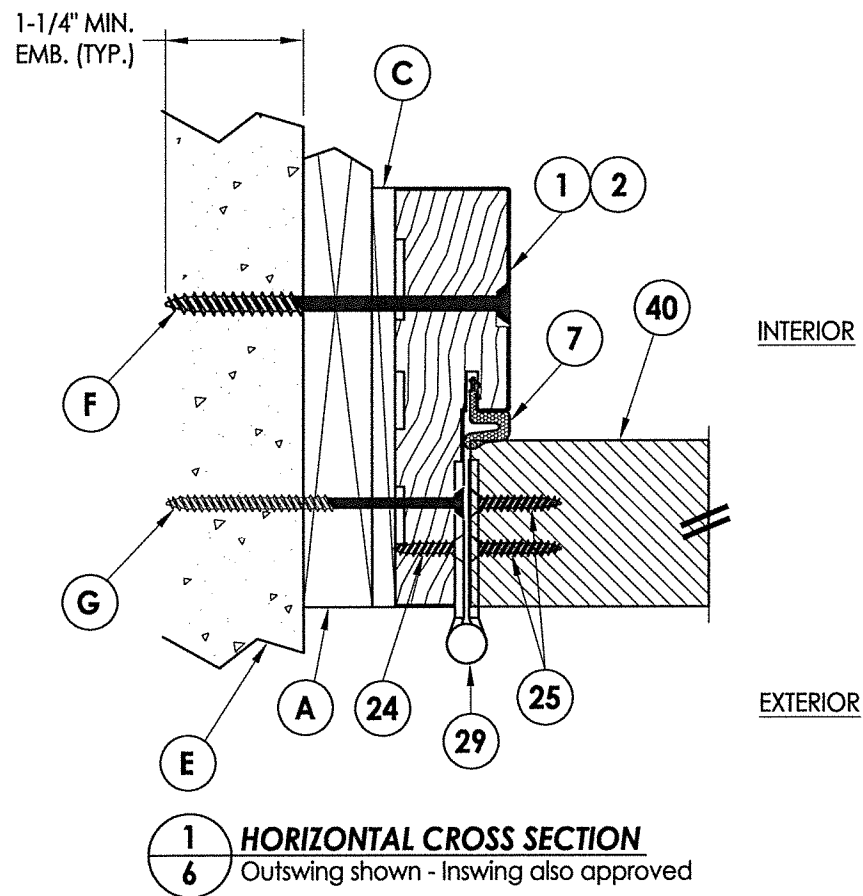
Z:\Clients\Trinity Glass Permanent\A - Florida Product Approvals\FL - 25575\C. Drawings\FL 25575.17-18.dwg



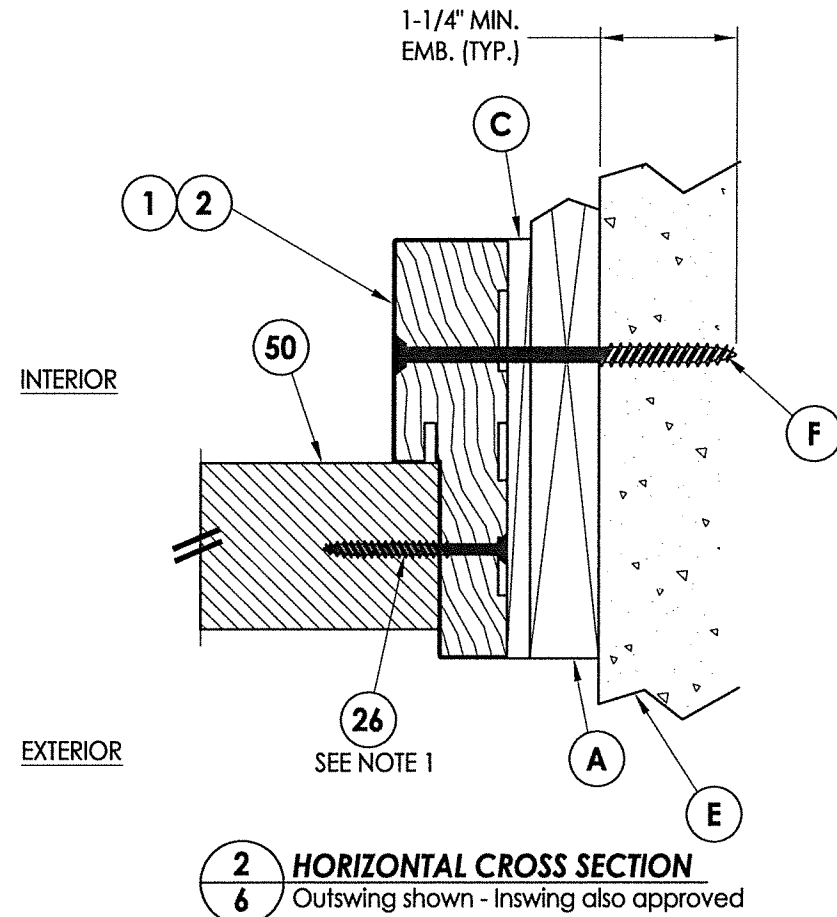
3 VERTICAL CROSS SECTION
6 Outswing shown - Inswing also approved



4 VERTICAL CROSS SECTION
6 Outswing shown - Inswing also approved

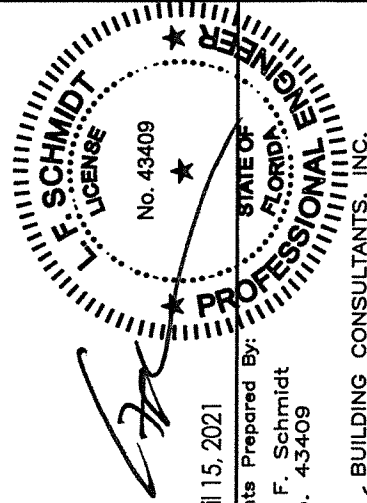


1 HORIZONTAL CROSS SECTION
6 Outswing shown - Inswing also approved



2 HORIZONTAL CROSS SECTION
6 Outswing shown - Inswing also approved

NOTE:
1. Item #26 located 6" from each end plus 5 more equally spaced (7 total).



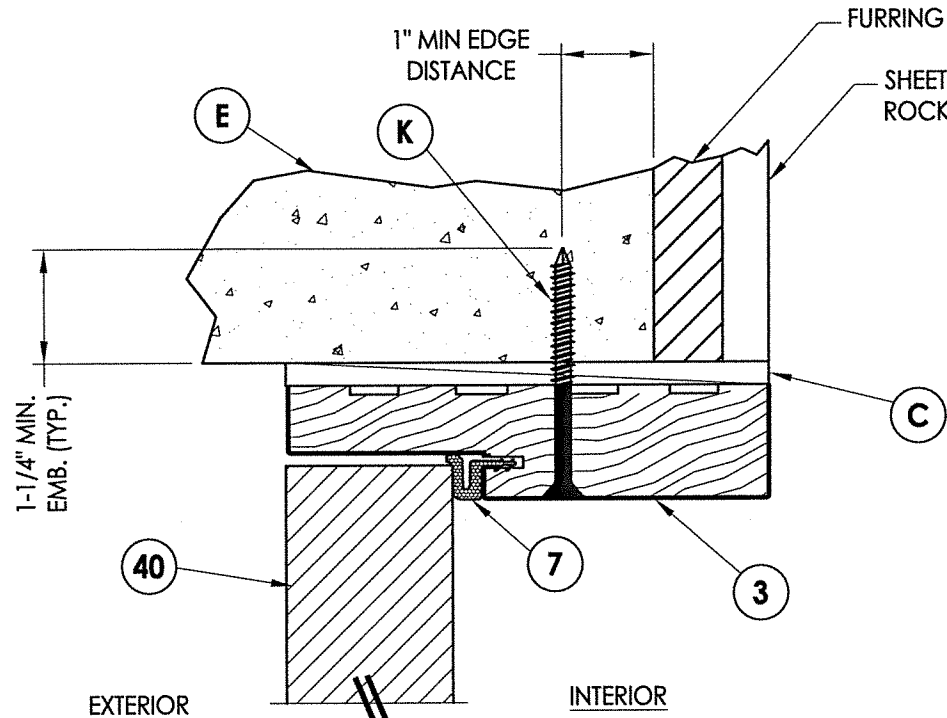
April 15, 2021

Documents Prepared By:
Lyndon F. Schmidt
P.E. No. 43409

R.W.
BUILDING CONSULTANTS, INC.
P.O. Box 230, Valrico, FL 33595
Phone No.: 813.659.9197
FBPE Registry No. 9813

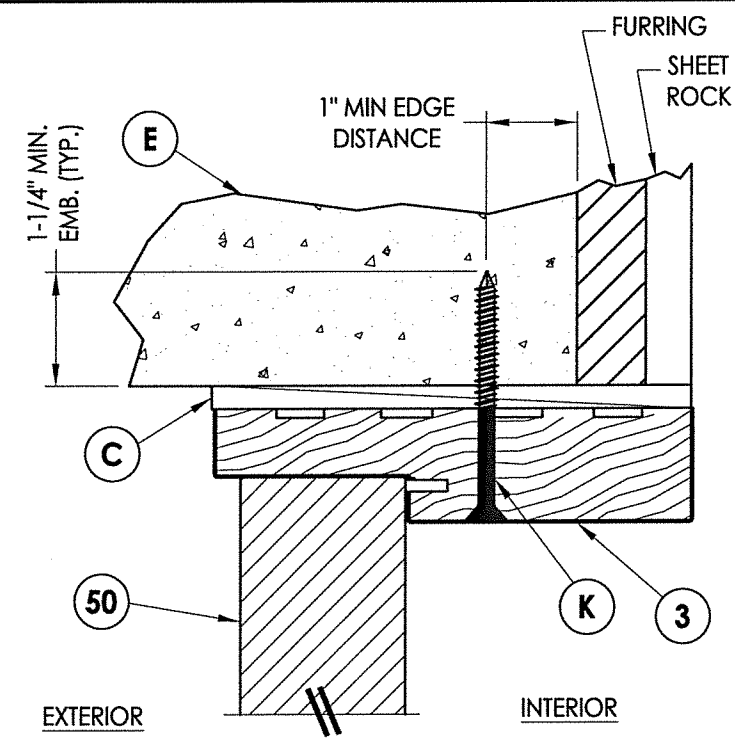
PRODUCT: TRINITY GLASS INT'L		REVISIONS
PART OR ASSEMBLY: HORIZONTAL AND VERTICAL CROSS SECTIONS (1X BUCK)		
NO.	DATE	BY
DATE: 4/15/21		
SCALE: N.T.S.		
DWG. BY: RW		
CHK. BY: LFS		
DRAWING NO.: FL-25575.17		
SHEET 6 OF 13		

© 2021 R.W. BUILDING CONSULTANTS INC.

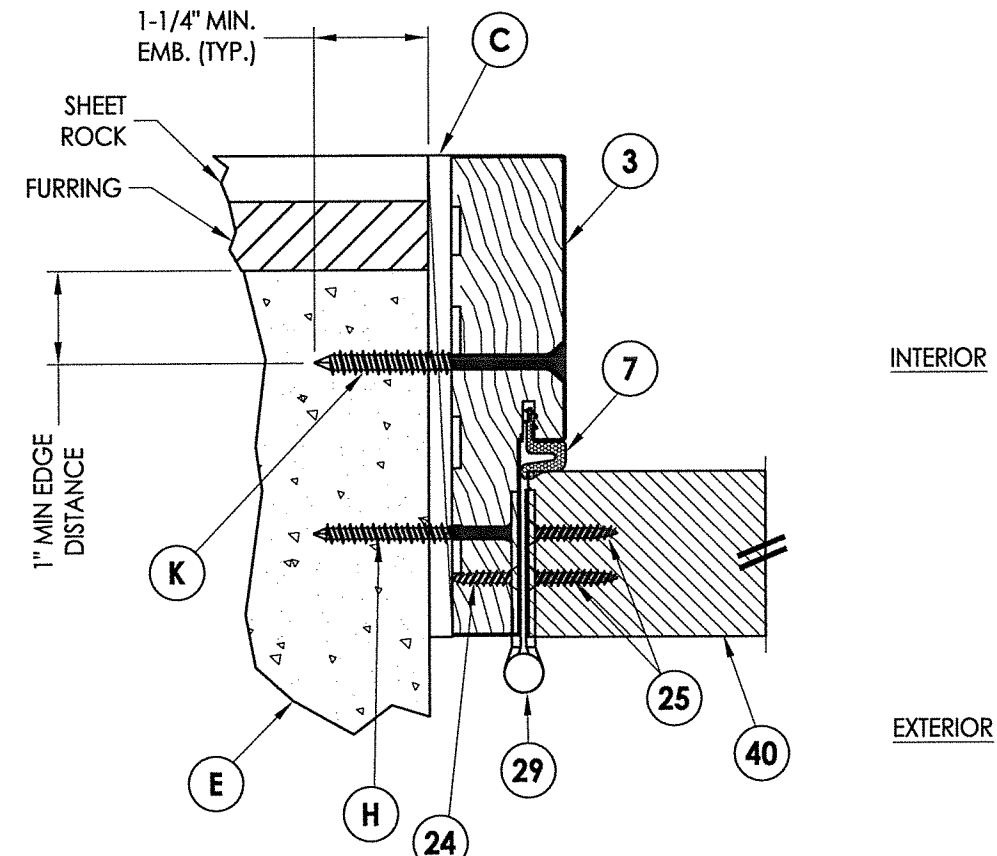


3 VERTICAL CROSS SECTION
7 Outswing only

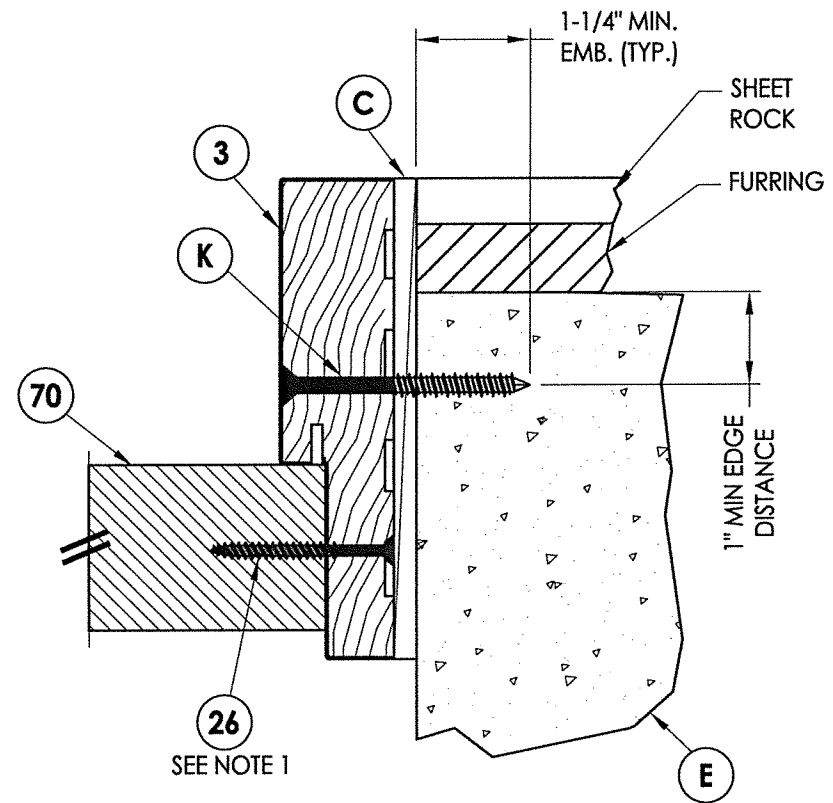
NOTE:
1. Item #26 located 6" from each end plus 5 more equally spaced (7 total).



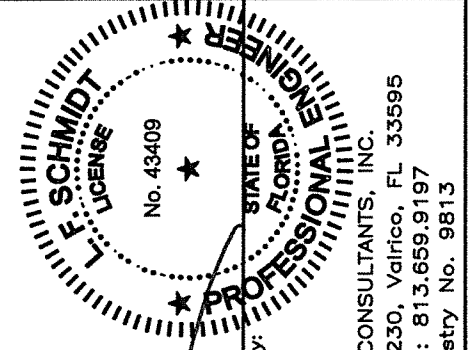
4 VERTICAL CROSS SECTION
7 Outswing only



1 HORIZONTAL CROSS SECTION
7 Outswing only



2 HORIZONTAL CROSS SECTION
7 Outswing only



LFS

April 15, 2021

Documents Prepared By:
Lyndon F. Schmidt
P.E. No. 43409

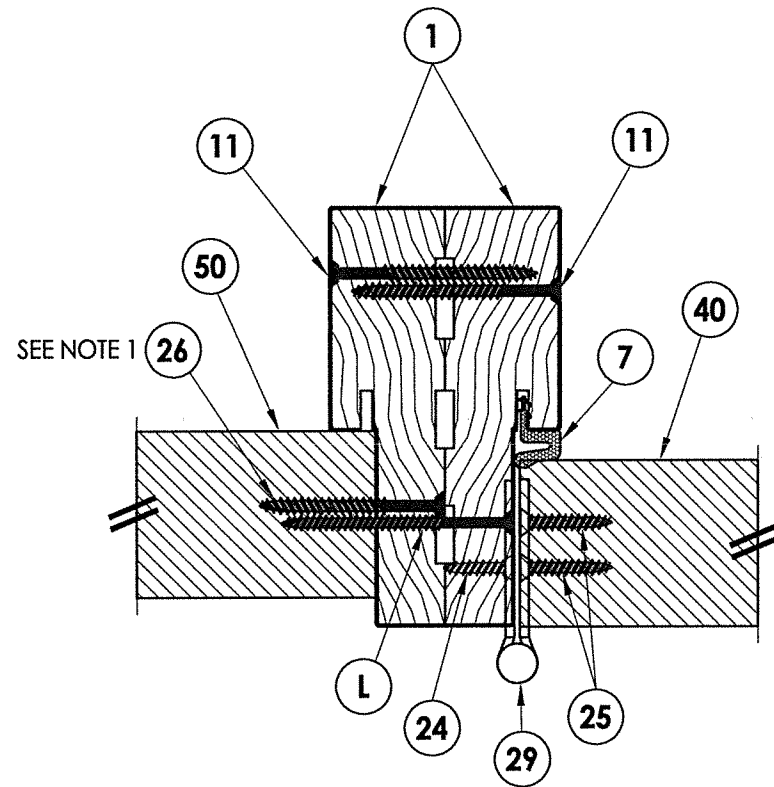
RW BUILDING CONSULTANTS, INC.
P.O. Box 230, Valrico, FL 33595
Phone No.: 813.659.9197
FBPE Registry No. 9813

PRODUCT: TRINITY GLASS INT'L
PART OR ASSEMBLY: HORIZONTAL AND VERTICAL CROSS SECTIONS (DIRECT TO MASONRY)

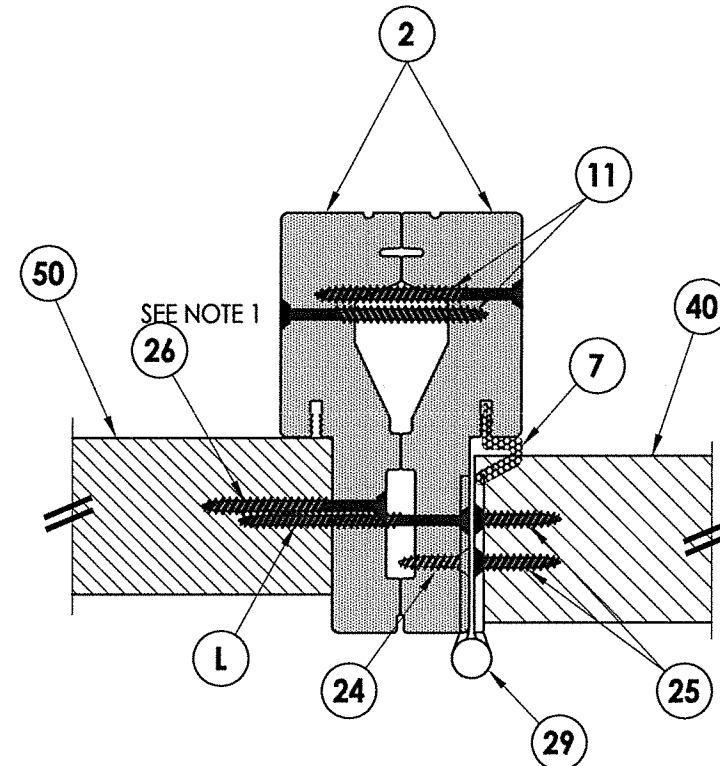
NO.	DATE	BY	REVISIONS

DATE: 4/15/21
SCALE: N.T.S.
DWG. BY: RW
CHK. BY: LFS
DRAWING NO.: FL-25575.17
SHEET 7 OF 13

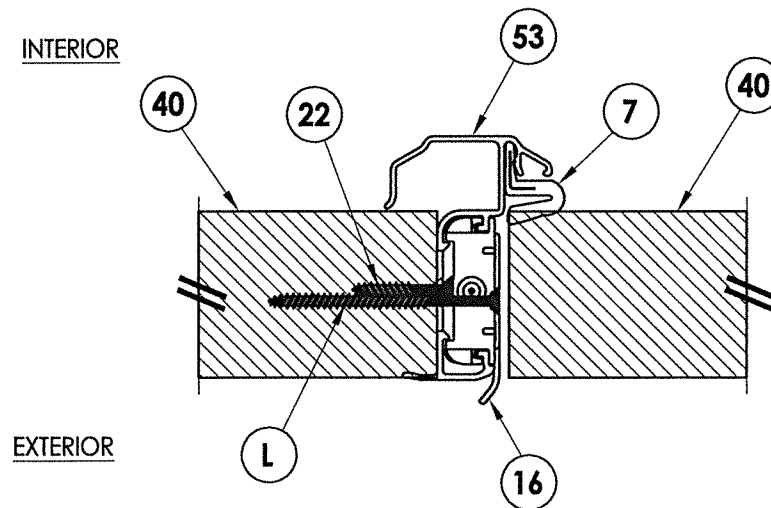
NOTE:
 1. Item #26 located 6" from each end plus 5 more equally spaced (7 total).



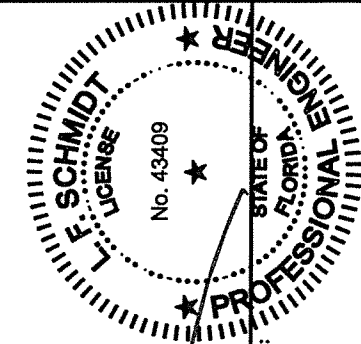
1
8 **HORIZONTAL CROSS SECTION**
 Outswing shown - Inswing also approved



2
8 **HORIZONTAL CROSS SECTION**
 Outswing shown - Inswing also approved



3
8 **HORIZONTAL CROSS SECTION**
 Outswing shown - Inswing also approved



Lyndon F. Schmidt
 P.E. No. 43409

April 15, 2021

Documents Prepared By:
 Lyndon F. Schmidt
 P.E. No. 43409

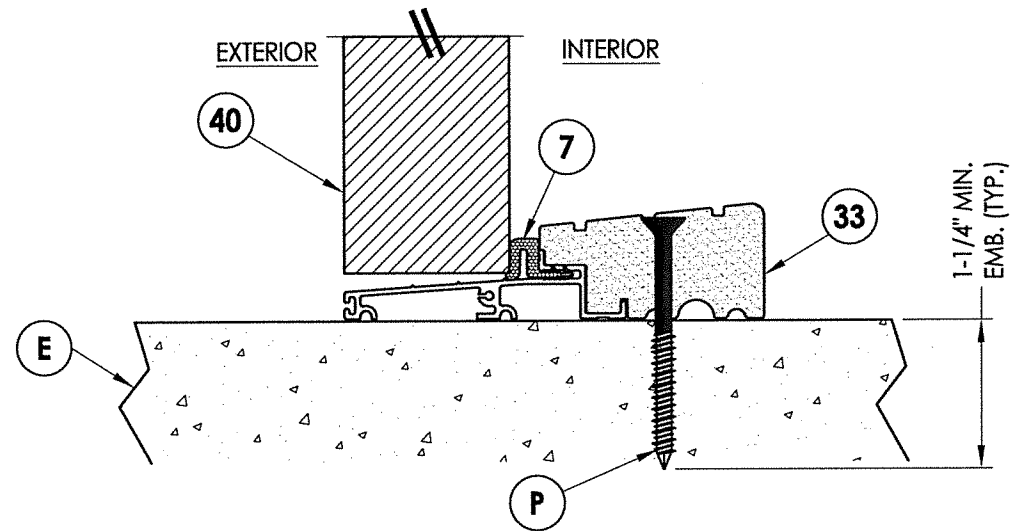
RW BUILDING CONSULTANTS, INC.
 P.O. Box 230, Valrico, FL 33595
 Phone No.: 813.659.9197
 FBPE Registry No. 9813

PRODUCT:	TRINITY GLASS INT'L
PART OR ASSEMBLY:	HORIZONTAL CROSS SECTIONS

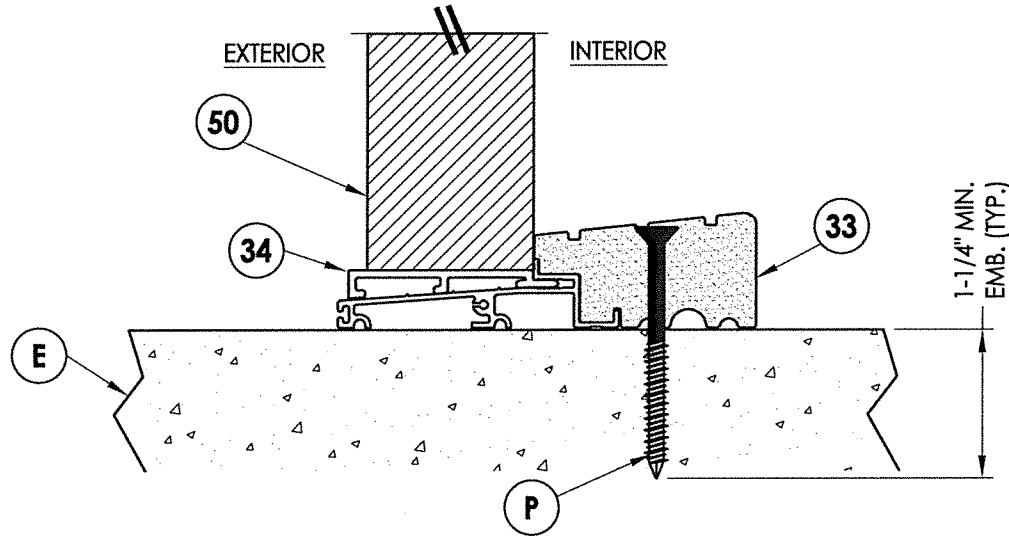
NO.	DATE	BY

DATE: 4/15/21
 SCALE: N.T.S.
 DWG. BY: RW
 CHK. BY: LFS
 DRAWING NO.: FL-25575.17
 SHEET 8 OF 13

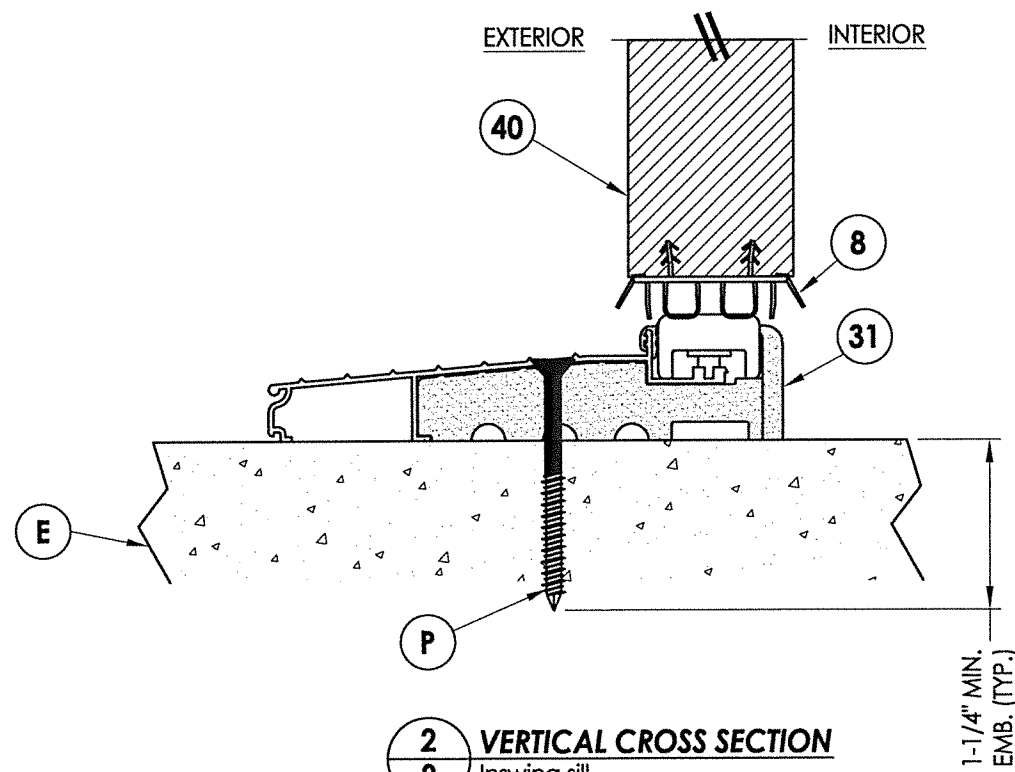
Z:\Clients\Trinity Glass PERMANENT\A - Florida Product Approvals\FL - 25575\C - Drawings\FL 25575 (2020)\FL-25575.17-18.dwg



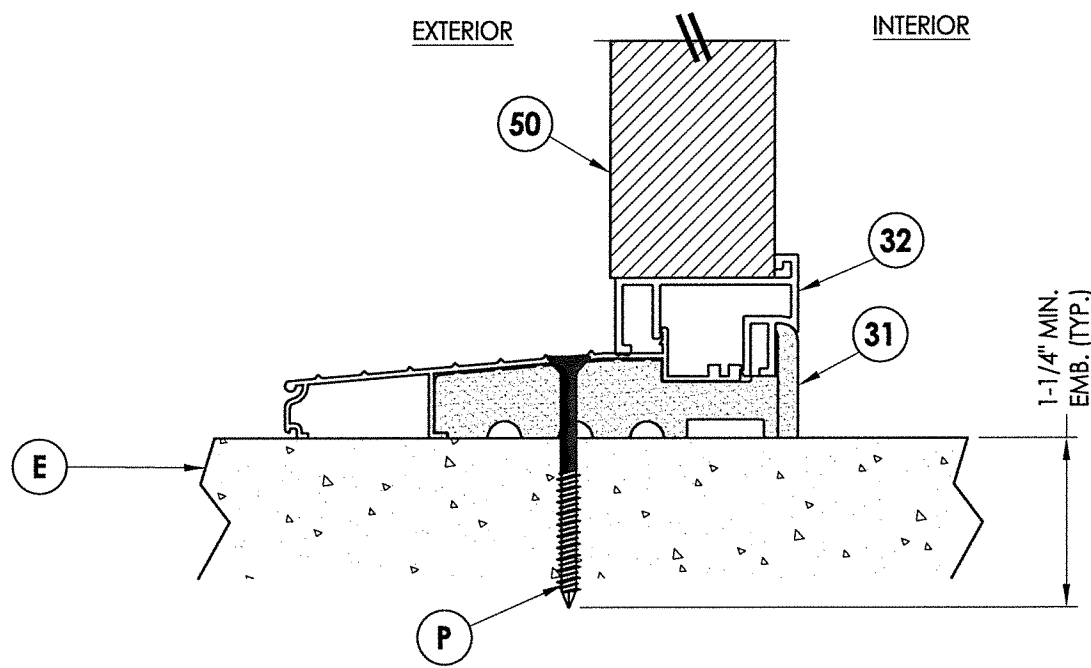
1 VERTICAL CROSS SECTION
9 Outswing sill - high dam



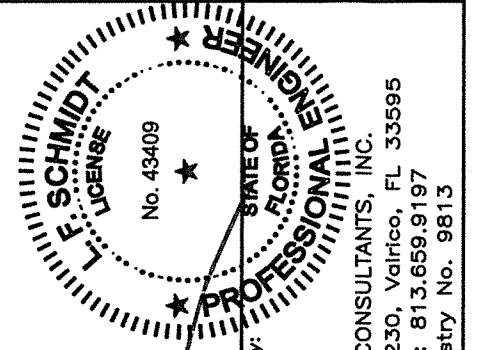
3 VERTICAL CROSS SECTION
9 Outswing sill - high dam



2 VERTICAL CROSS SECTION
9 Inswing sill



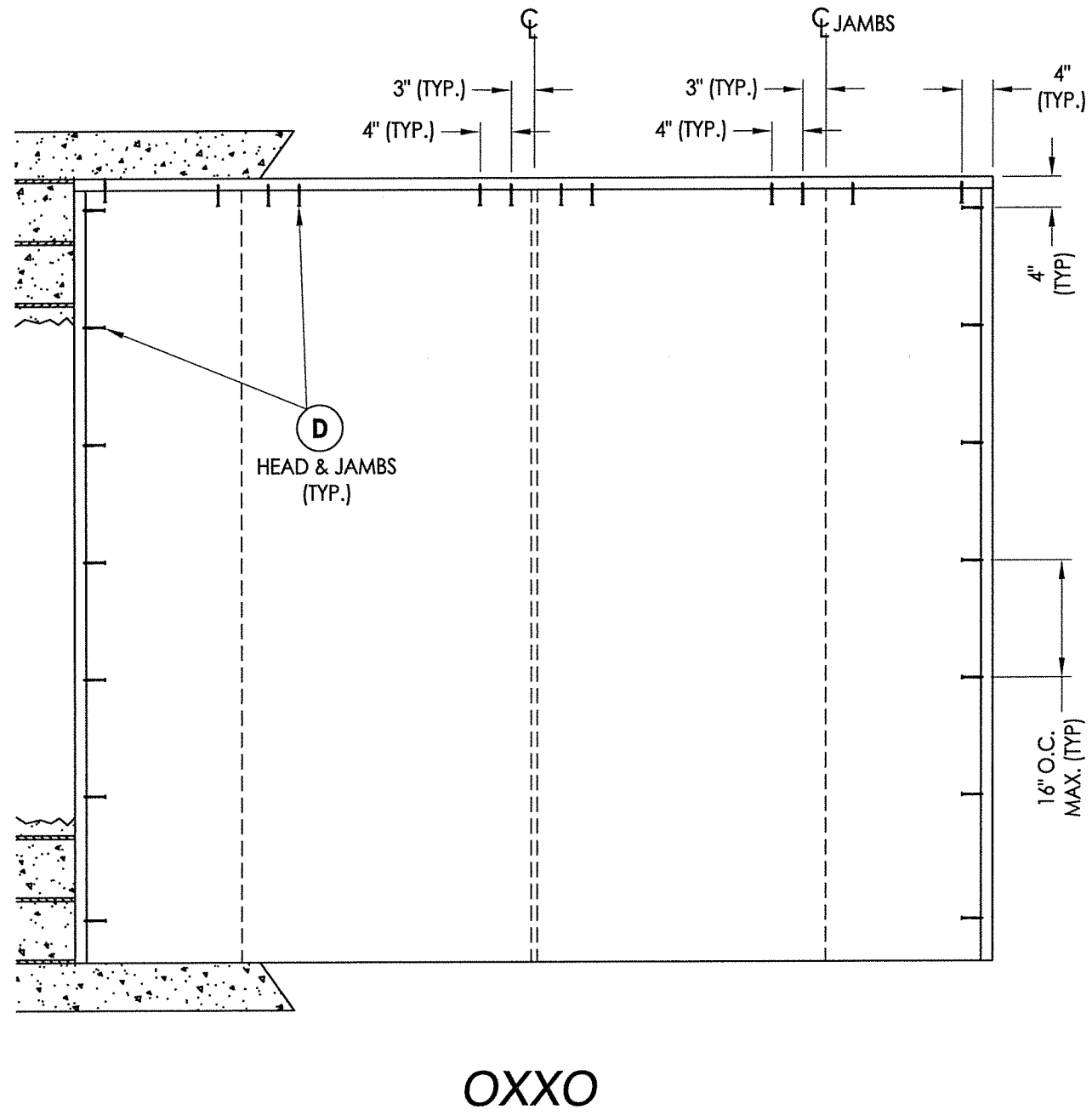
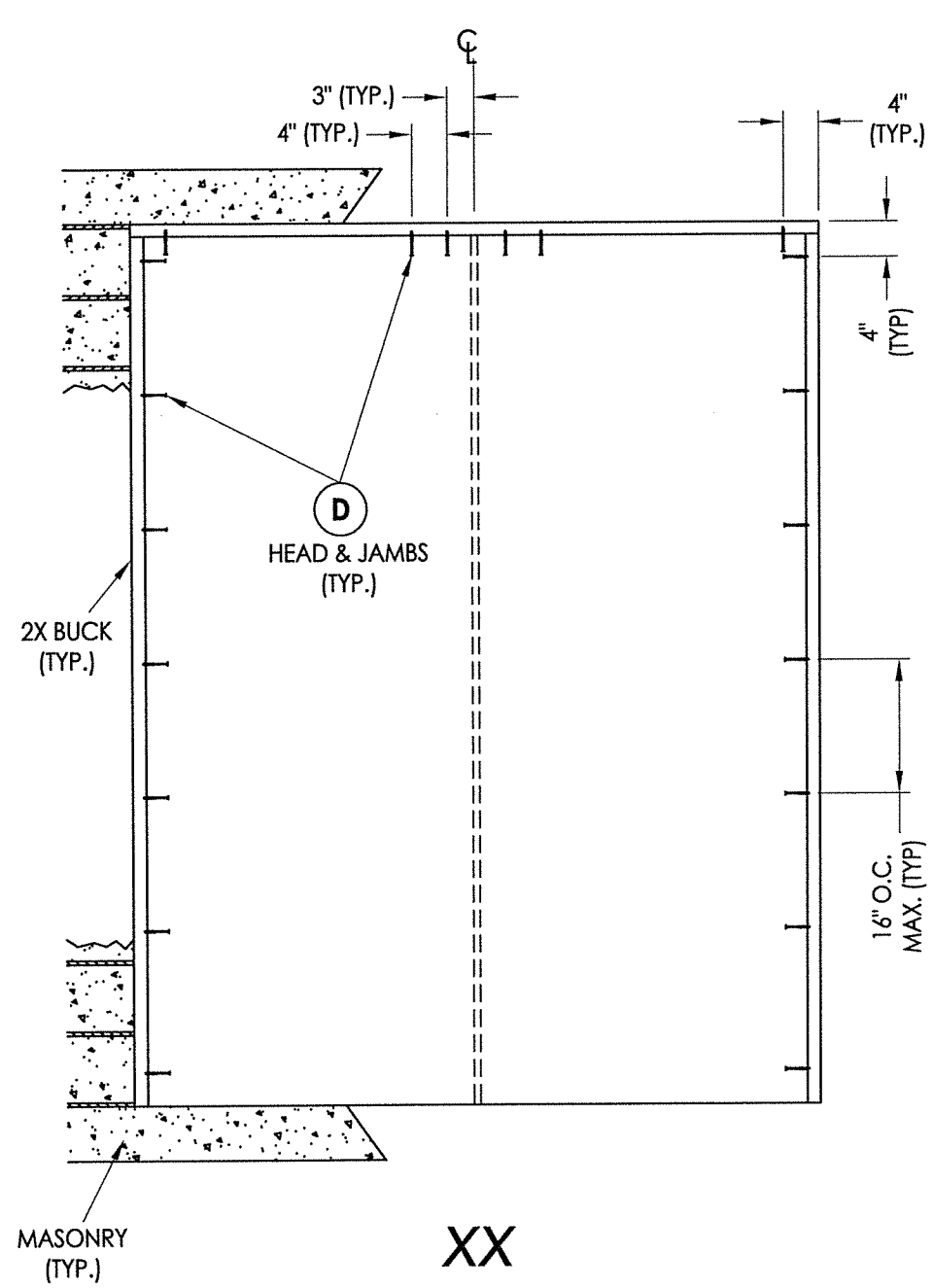
4 VERTICAL CROSS SECTION
9 Inswing sill



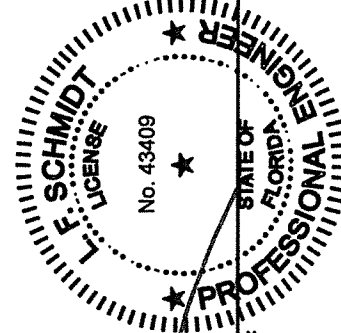
LFS
 April 15, 2021
 Documents Prepared By:
 Lyndon F. Schmidt
 P.E. No. 43409

R.W. BUILDING CONSULTANTS, INC.
 P.O. Box 230, Valrico, FL 33595
 Phone No.: 813.659.9197
 FBPE Registry No. 9813

PRODUCT: TRINITY GLASS INT'L	
PART OR ASSEMBLY: VERTICAL CROSS SECTIONS	
NO.	DATE
BY	REVISIONS
DATE: 4/15/21	
SCALE: N.T.S.	
DWG. BY: RW	
CHK. BY: LFS	
DRAWING NO.:	
FL-25575.17	
SHEET 9 OF 13	



2X BUCK ANCHORING



LFS

April 15, 2021

Documents Prepared By:
Lyndon F. Schmidt
P.E. No. 4-3409

RW
BUILDING CONSULTANTS, INC.
P.O. Box 230, Valrico, FL 33595
Phone No.: 813.659.9197
FBPE Registry No. 9813

PRODUCT:
TRINITY GLASS INT'L

PART OR ASSEMBLY:
BUCK ANCHORING

NO.	DATE	REVISIONS	BY

DATE: 4/15/21

SCALE: N.T.S.

DWG. BY: RW

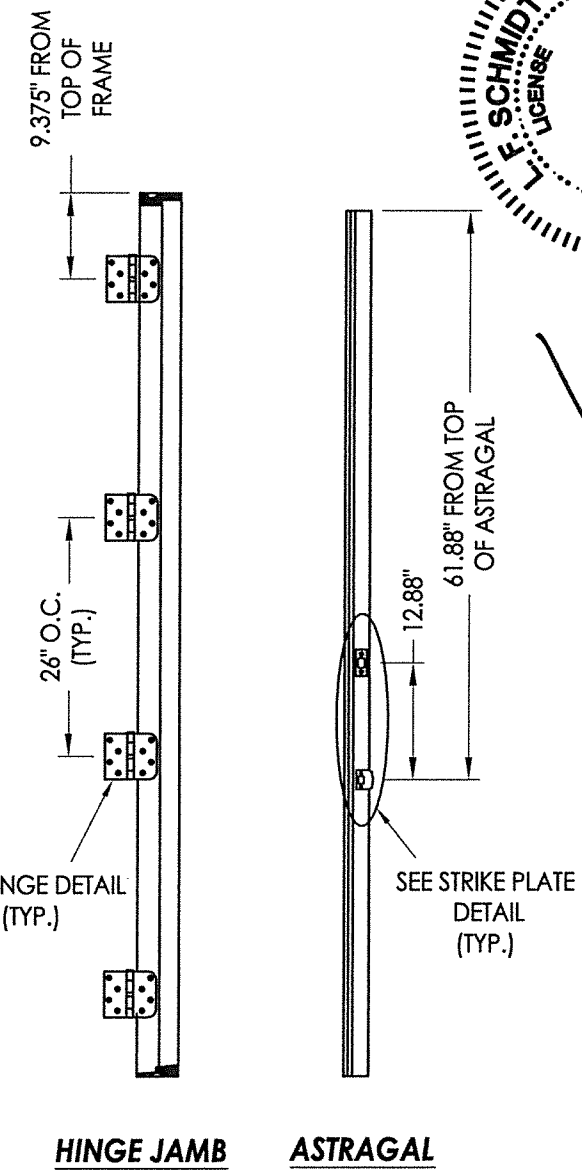
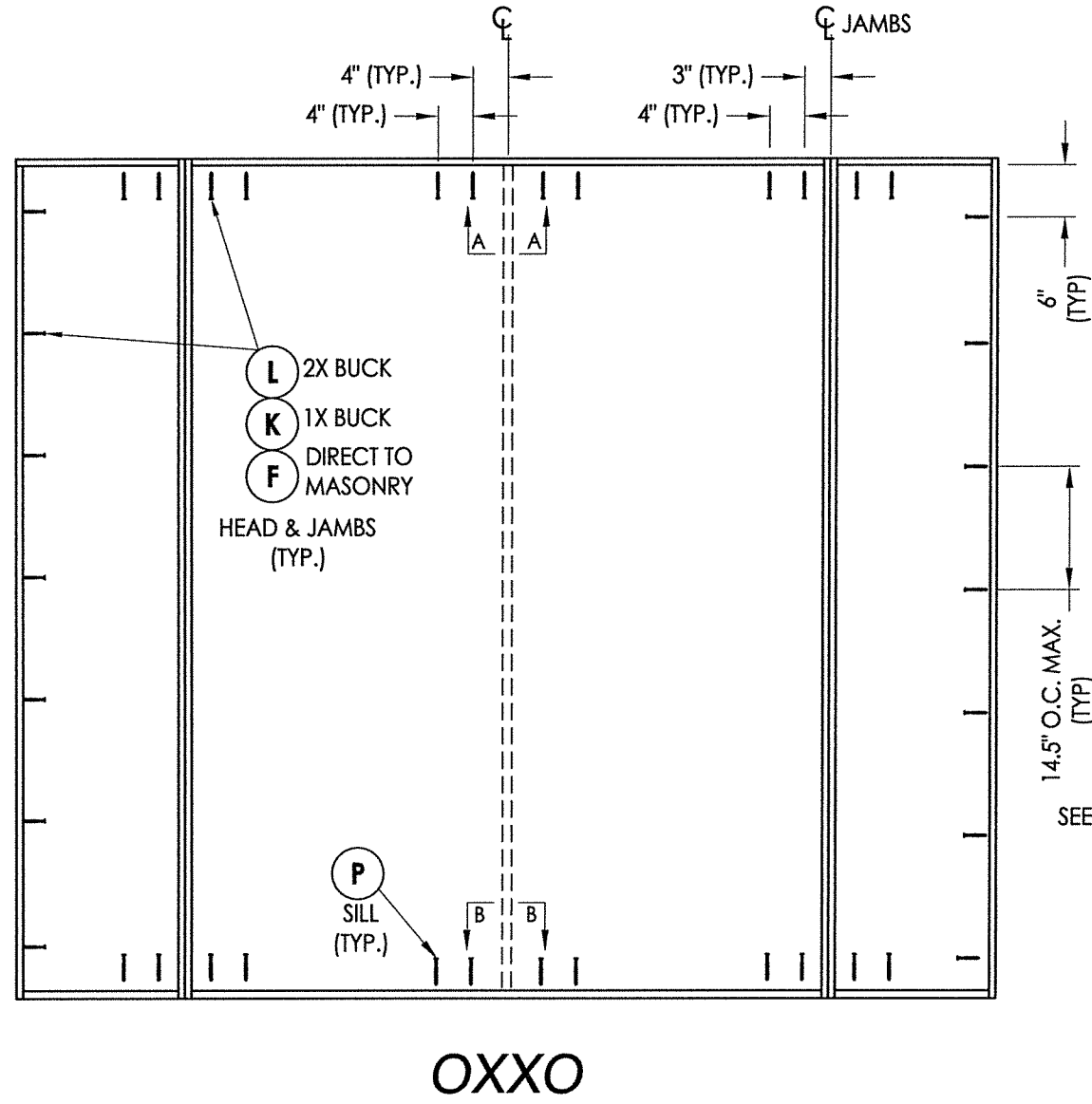
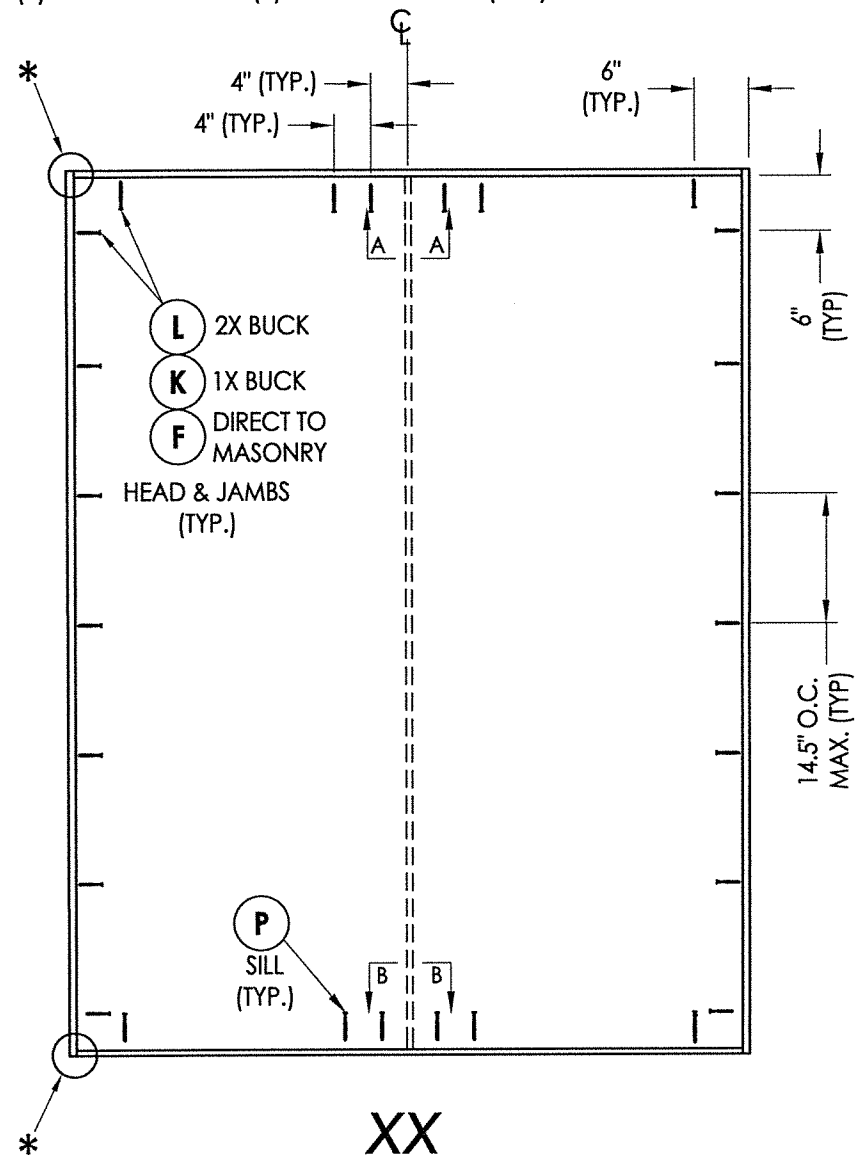
CHK. BY: LFS

DRAWING NO.:

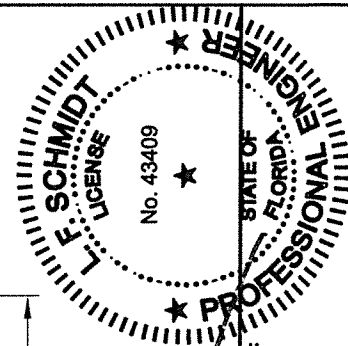
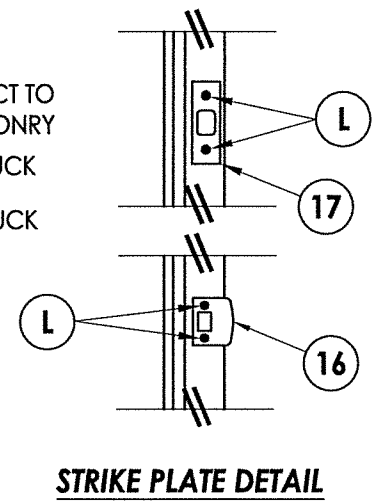
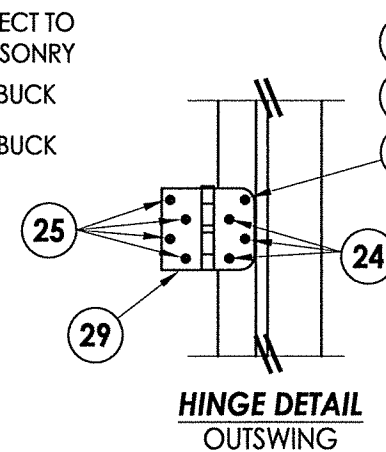
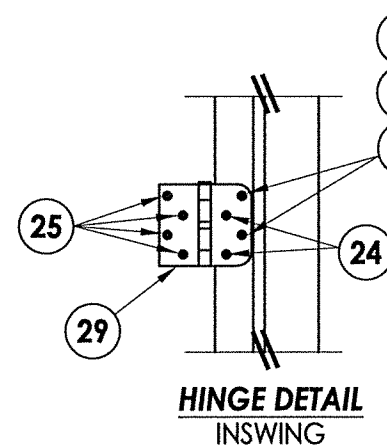
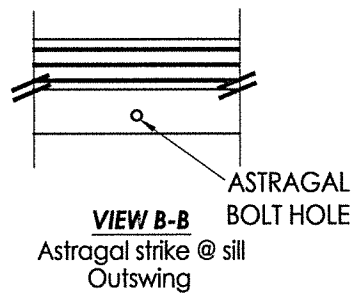
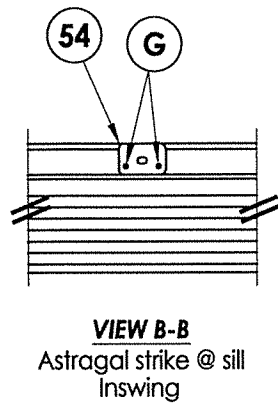
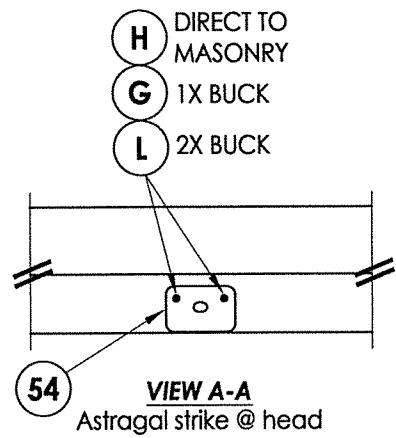
FL-25575.17

SHEET 10 OF 13

*NOTE: FRAME CORNERS ATTACHED w/ #8 X 2" COURSE THREAD DRYWALL SCREWS: (3) @ HEAD, (3) @ INSWING SILL & (2) @ OUTSWING SILL (TYP.).



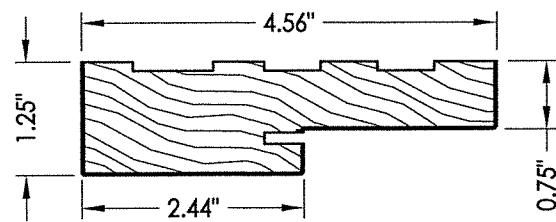
FRAME ANCHORING



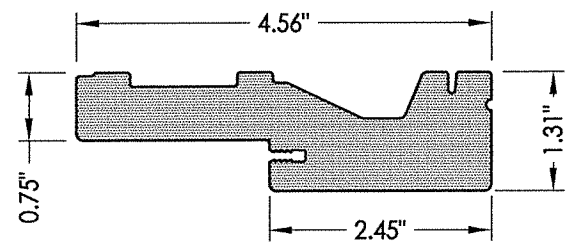
April 15, 2021
 Documents Prepared By:
 Lyndon F. Schmidt
 P.E. No. 43409

R.W. BUILDING CONSULTANTS, INC.
 P.O. Box 230, Valrico, FL 33595
 Phone No.: 813.659.9197
 FBPE Registry No. 9813

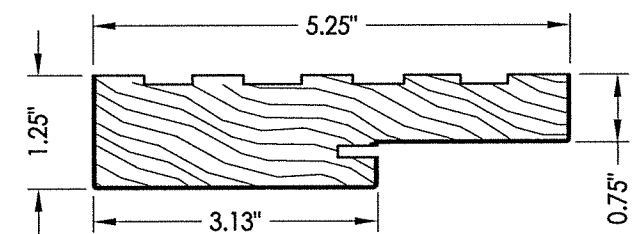
PRODUCT:	TRINITY GLASS INT'L	
PART OR ASSEMBLY:	FRAME ANCHORING	
NO.	DATE	BY
REVISIONS		
DATE:	4/15/21	
SCALE:	N.T.S.	
DWG. BY:	RW	
CHK. BY:	LFS	
DRAWING NO.:	FL-25575.17	
SHEET	11 OF 13	



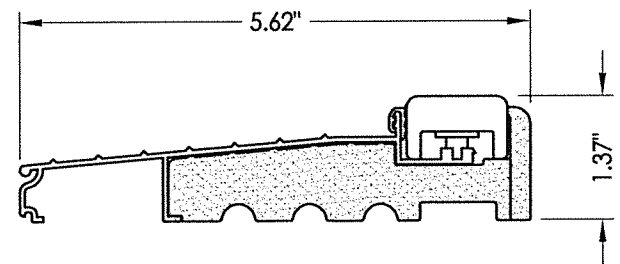
1 HEAD & JAMBS
FINGER JOINT PINE



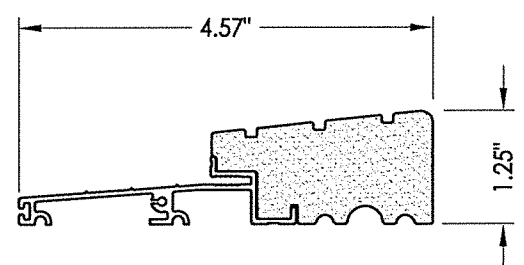
2 HEAD & JAMBS
PVC



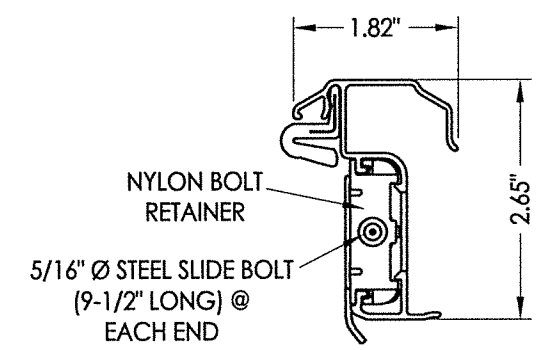
3 HEAD & JAMBS
FINGER JOINT PINE



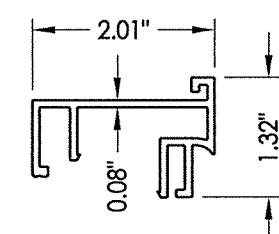
31 INSWING THRESHOLD



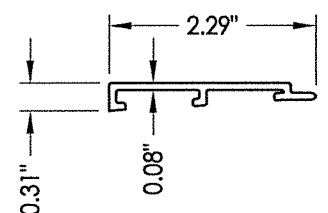
33 OUTSWING THRESHOLD
High-dam



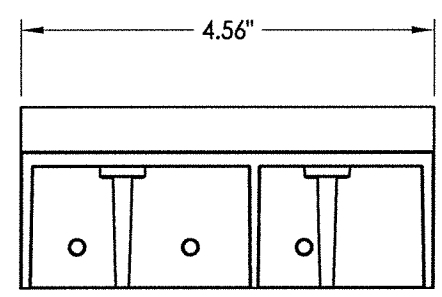
53 ULTIMATE HURRICANE ASTRAGAL
Endura Products



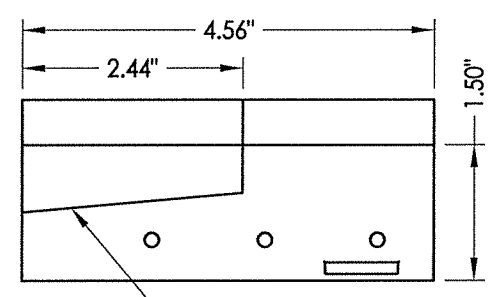
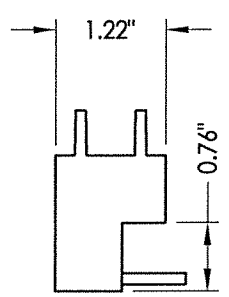
32 SIDELITE SPACER
Inswing



34 SIDELITE SPACER
Outswing

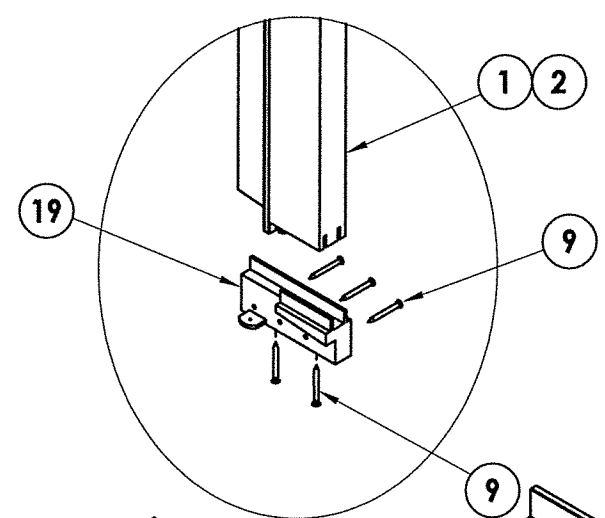


SILLKEY (LEFT)



SILLKEY (RIGHT)

19 SILLKEY DETAILS
Optional



April 15, 2021
 Documents Prepared By:
 Lyndon F. Schmidt
 P.E. No. 43409

 RW BUILDING CONSULTANTS, INC.
 P.O. Box 230, Valrico, FL 33595
 Phone No.: 813.659.9197
 FBPE Registry No. 9813

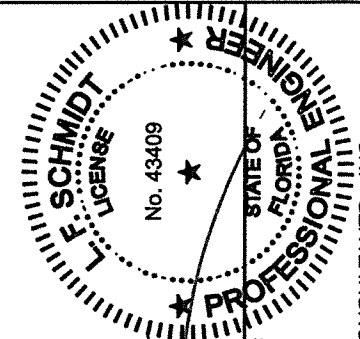
PRODUCT:	TRINITY GLASS INT'L
PART OR ASSEMBLY:	COMPONENTS

NO.	DATE	BY	REVISIONS

DATE:	4/15/21
SCALE:	N.T.S.
DWG. BY:	RW
CHK. BY:	LFS
DRAWING NO.:	FL-25575.17
SHEET	12 of 13

BILL OF MATERIALS

ITEM #	DESCRIPTION	MATERIAL
A	1X BUCK (SG >= 0.42)	WOOD
B	2X BUCK (SG >= 0.42)	WOOD
C	1/4" MAX. SHIM SPACE	-
D	1/4" X 2-3/4" PFH DeWALT OR ITW CONCRETE SCREW	STEEL
E	MASONRY - 3,000 PSI MIN. CONCRETE CONFORMING TO ACI 301 OR HOLLOW BLOCK CONFORMING TO ASTM C90	CONCRETE
F	1/4" X 3-3/4" PFH ITW CONCRETE SCREW	STEEL
G	3/16" X 3-1/4" PFH ITW CONCRETE SCREW	STEEL
H	3/16" X 2-1/4" PFH ITW CONCRETE SCREW	STEEL
K	1/4" X 2-3/4" PFH DeWALT CONCRETE SCREW	STEEL
L	#10 X 2-1/2" PFH WS (1.15" MIN. EMBEDMENT)	STEEL
P	1/4" X 2-3/4" PFH DeWALT OR ITW CONCRETE SCREW	STEEL
1	HEAD & JAMB (FINGER JOINT PINE: SG >= 0.42)	WOOD
2	HEAD & JAMB	PVC
3	HEAD & JAMB (5.25") (FINGER JOINT PINE: SG >= 0.42)	WOOD
7	WEATHERSTRIP	FOAM
8	DOOR BOTTOM SWEEP	PVC
9	#6 X 1-1/4 PFH DRYWALL SCREW	STEEL
11	#9 X 2-1/4" PFH WOOD SCREW	STEEL
16	LATCH STRIKE PLATE	STEEL
17	DEADBOLT STRIKE PLATE	STEEL
19	SILLKEY	ABS
22	#8 X 1" FH WOOD SCREW	STEEL
24	#9 X 3/4" PFH WS	STEEL
25	#9 X 1" PFH WS	STEEL
26	#10 X 2" PFH WS	STEEL
27	#8 X 2-1/2" PFH WOOD SCREW	STEEL
28	#10 X 3" PFH WOOD SCREW	STEEL
29	4" X 4" HINGE	STEEL
31	INSWING THRESHOLD ALUMINUM w/ COMPOSITE SUBSTRATE	ALUM/ COMP
32	SIDELITE SPACER - INSWING	PVC
33	OUTSWING HIGH - DAM THRESHOLD ALUMINUM w/ COMPOSITE SUBSTRATE	ALUM/ COMP
34	SIDELITE SPACER - OUTSWING	PVC
40	DOOR PANEL	-
50	SIDELITE PANEL	-
53	ALUMINUM ASTRAGAL	ALUM
54	ASTRAGAL STRIKE PLATE	STEEL



Lyndon F. Schmidt
 April 15, 2021
 Documents Prepared By:
 Lyndon F. Schmidt
 P.E. No. 43409

RW
 BUILDING CONSULTANTS, INC.
 P.O. Box 230, Valrico, FL 33595
 Phone No.: 813.659.9197
 FBPE Registry No. 9813

PRODUCT: TRINITY GLASS INT'L
 PART OR ASSEMBLY: BILL OF MATERIALS

NO.	DATE	BY

REVISIONS
 DATE: 4/15/21
 SCALE: N.T.S.
 DWG. BY: RW
 CHK. BY: LFS
 DRAWING NO.: FL-25575.17
 SHEET 13 OF 13

- CONCRETE ANCHOR NOTES:**
- Concrete anchor locations at the corners may be adjusted to maintain the min. edge distance to mortar joints.
 - Concrete anchor locations noted as "MAX. ON CENTER" must be adjusted to maintain the min. edge distance to mortar joints, additional concrete anchors may be required to ensure the "MAX. ON CENTER" dimension are not exceeded.
 - Concrete anchor table:

ANCHOR TYPE	ANCHOR SIZE	MIN. EMBEDMENT	MIN. CLEARANCE TO MASONRY EDGE	MIN. CLEARANCE TO ADJACENT ANCHOR
ITW BUILDEX TAPCON®	3/16"	1-1/4"	AS SHOWN	1-1/2"
	1/4"	1-1/4"	2"	4"
DeWALT ULTRACON®	1/4"	1-1/4"	1"	4"

- WOOD SCREW INSTALLATION NOTES:**
- Maintain a minimum 5/8" edge distance, 1" end distance, & 1" o.c. spacing of wood screws to prevent the splitting of wood.